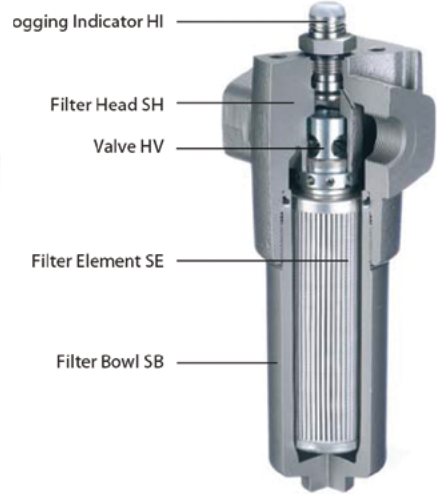
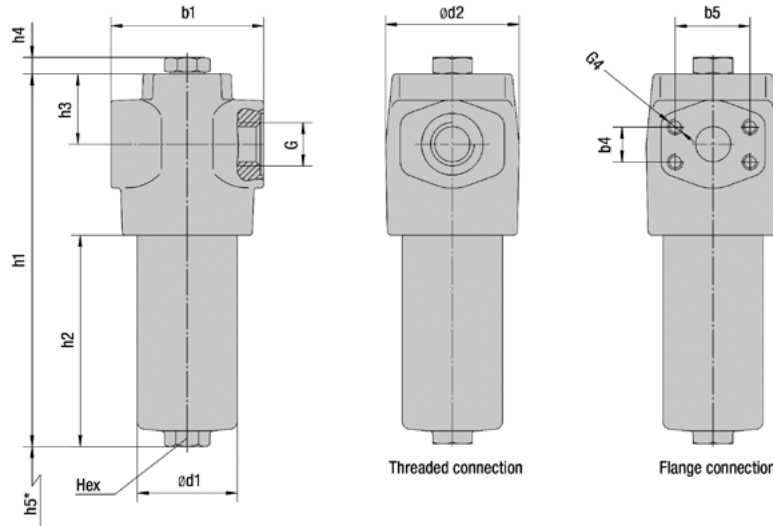


## HIGH PRESSURE FILTER • TYPE SF

- 6000 PSI MAXIMUM WORKING PRESSURE
- 10 MICRONS SYNTHETIC MEDIA
- OTHER MICRONS AND MEDIA AVAILABLE



DIMENSIONS	FILTER SIZE SF			
	014	030	045	070
B1	4.10"	4.10"	5.04"	5.04"
D2	3.58"	3.58"	4.57"	4.57"
H3	1.89"	1.89"	1.95"	1.95"
H4	0.49"	0.49"	0.49"	0.49"
D1	2.68"	2.68"	3.74"	3.74"
H1	7.40"	10.00"	9.41"	11.73"
H2	3.07"	5.67"	4.06"	6.34"
H5	REC.	3.94"	6.69"	5.51"
	MIN.	3.35"	3.35"	4.72"
HEX	1.06"	1.06"	1.26"	1.26"

## FILTER ASSEMBLY

HIGH PRESSURE FILTER HOUSINGS / COMPLETE FILTERS • TYPE SF			
PART NUMBER	FLOW	MAX GPM	SIZE
SF 014 G 10 B / T U / B / A	60 L/MIN	14	014
SF 030 G 10 B / T U / B / A	110 L/MIN	30	030
SF 045 G 10 B / T U / B / A	160 L/MIN	45	045
SF 070 G 10 B / T U / B / A	240 L/MIN	70	070

FILTER ELEMENTS • TYPE SE			
PART NUMBER	FLOW	MAX GPM	SIZE
SE 014 G 10 B / X	60 L/MIN	14	014
SE 030 G 10 B / X	110 L/MIN	30	030
SE 045 G 10 B / X	160 L/MIN	45	045
SE 070 G 10 B / X	240 L/MIN	70	070

## CLOGGING INDICATORS

VISUAL  
PART NO: HI-V

ELECTRIC  
PART NO: HI-E

